

INSTALLATION INSTRUCTIONS

Bypass Air Fin Replacement Kit Installation Instructions

IMPORTANT SAFETY INFORMATION

INSTALLER: Please read all instructions before servicing this equipment. Pay attention to all safety warnings and any other special notes highlighted in the manual. Safety markings are used frequently throughout this manual to designate a degree or level of seriousness and should not be ignored. **WARNING** indicates a potentially hazardous situation that if not avoided, could result in personal injury or death.

WARNING:

ELECTRICAL SHOCK, FIRE OR EXPLOSION HAZARD

Failure to follow safety warnings exactly could result in serious injury, death or property damage.

Improper servicing could result in dangerous operation, serious injury, death or property damage.

- **Before servicing, disconnect all electrical power to the unit.**
- **When servicing controls, label all wires prior to disconnecting. Reconnect wires correctly.**
- **This unit may have more than one power supply.**
- **Verify proper operation after servicing.**

WARNING:

The safety information listed below must be followed during the installation, service, and operation of this unit. Unqualified individuals should not attempt to interpret these instructions or install this equipment. Failure to follow safety recommendations could result in possible damage to the equipment, serious personal injury or death.

- Follow all precautions in the literature, on tags and labels provided with the equipment. Read and thoroughly understand the instructions provided with the equipment prior to performing the installation and operational checkout of the equipment.
- Unless noted otherwise in these instructions, only factory authorized parts or accessory kits may be used with this product. Improper installation, service, adjustment, or

maintenance may cause fire, electrical shock or other hazardous conditions which may result in personal injury or property damage.

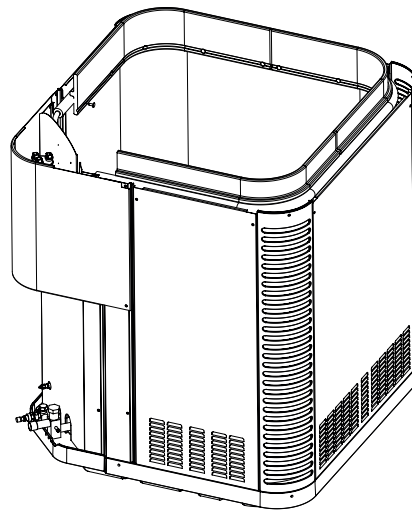
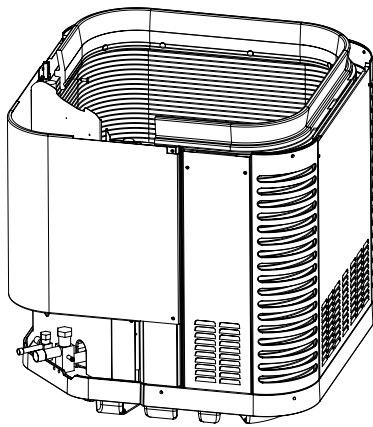
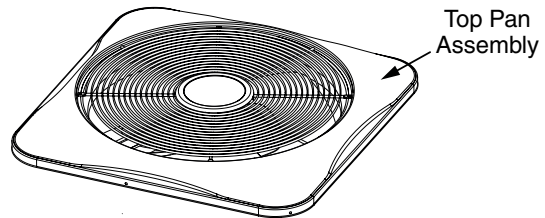
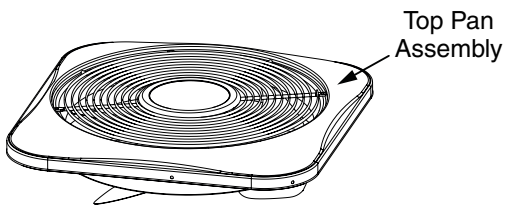
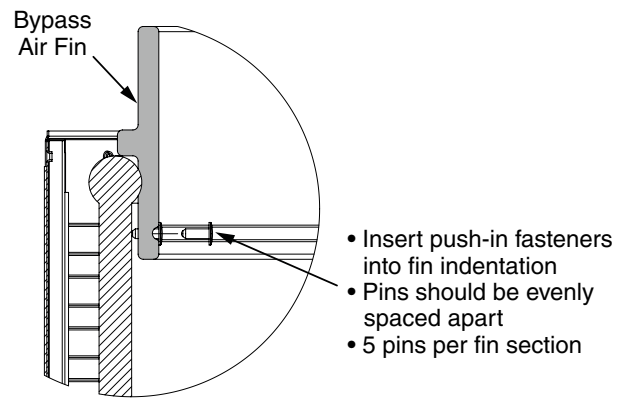
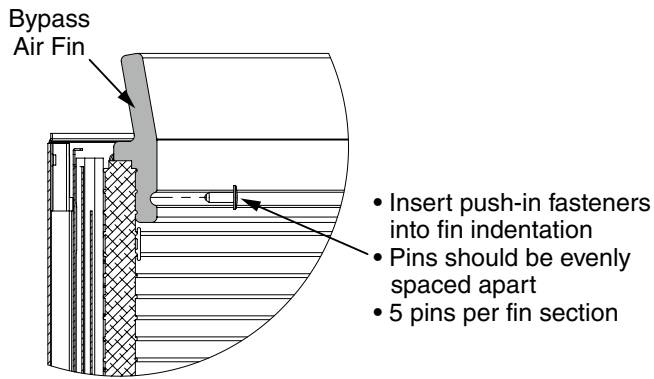
- Use caution when handling this equipment or removing components. Personal injury can occur from sharp metal edges present in all sheet metal constructed equipment.

ABOUT THE REPLACEMENT KIT

This kit is used to replace the “bypass air fin” foam pieces located on the top of the coil in certain split system outdoor units. This foam helps to minimize any air that may otherwise go over the top of the coil instead of through it to help optimize performance.

BYPASS AIR FIN REPLACEMENT PROCEDURE

1. Turn off power to the system.
2. Remove the electrical panel cover.
3. Disconnect the wires going to the outdoor fan motor.
4. Remove the top pan assembly.
5. Remove any installed bypass air fins that need to be replaced by pulling out the push-in fasteners attaching them to the coil.
6. Install the new bypass air fins by positioning the foam (one piece at a time) on top of the coil from one end of the coil to the other. See Figure 1 and Figure 2.
 - The push-in fasteners should be inserted through the indentation in the foam and into the coil. Five push-in fasteners should be used per bypass air fin, with the fasteners evenly spaced down the fin’s length to ensure it is secured.
 - Two or three bypass air fins are required per unit, depending on the size of the unit’s coil. There may be some length of coil not covered by the fin at one end of the coil.
7. Carefully place the top pan assembly back on top of the unit. Pay special attention to the bypass air fins so that they are not dislodged by the top pan.
8. Look down through the fan grille and make sure that the bypass air fins weren’t displaced when placing the top pan assembly on the unit. If they have been displaced, lift the top pan, correct their positioning, reinstall fasteners as necessary, and then reinstall the top pan.
9. Reconnect the wires going to the outdoor fan motor, following the unit’s wiring diagram on the inside of the unit’s electrical panel cover.
10. Reinstall the unit’s electrical panel cover.
11. Turn on power to the system.



**Figure 1. 1017817R Bypass Air Fin Installation
(For Air Conditioners)**

**Figure 2. 1017816R Bypass Air Fin Installation
(For Split System Heat Pumps)**

