

FS4BF-K(B,C) Series

Extra High Efficiency Air Conditioner 16 SEER Residential System 2 - 5 Ton Capacity

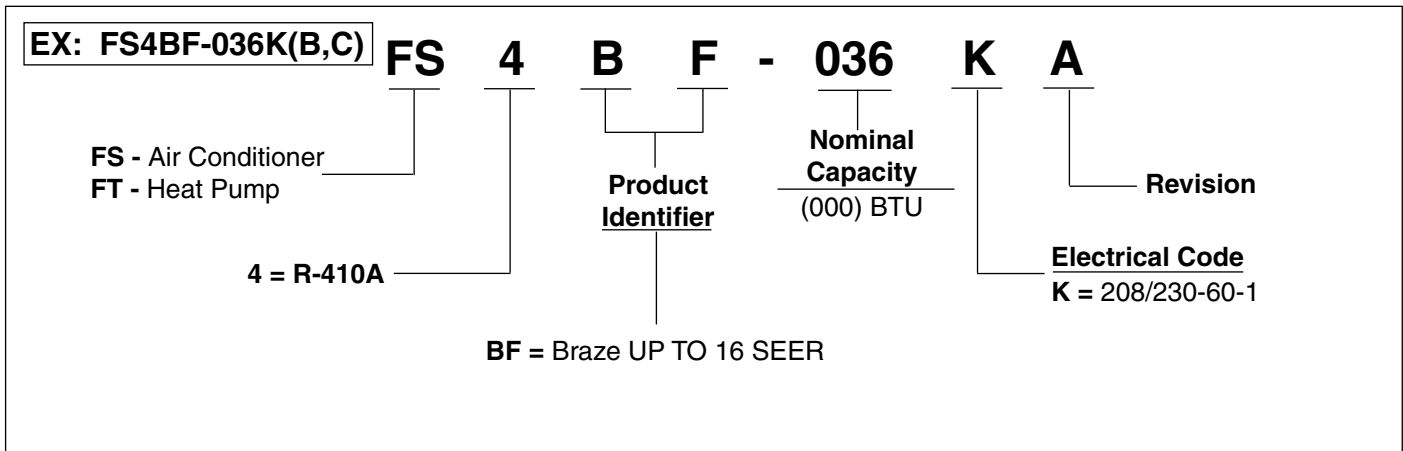
The FS4BF-K(B,C) Series air conditioners offers exceptional performance. The unit, when combined with our engineered coils or air handlers, offers a line of quality, 16 SEER split system cooling equipment.



FEATURES and BENEFITS

- **CoreSense™ Compressor Protection** : Control module actively monitors compressor conditions and will shut the unit down to prevent damage.
- **Copeland Scroll UltraTech™ Compressor**: The Ultra Tech Compressor operates with 2 stages of cooling capacity to provide superior comfort and efficiency. Copeland's proven and simple design equates to years of comfort and reliability for the homeowner with virtually silent operation.
- **Durable, Attractive Cabinet**: Designed using galvanized steel with a polyester urethane finish. The 950 hour salt spray finish is 1.5 mil thick and resists corrosion 50% better than comparable units.
- **Composite Base Pan**: Absorbs sound and is corrosion resistant. Composite is also stronger and lighter than steel.
- **Compressor Sound Blanket**: Engineered to significantly reduce unwanted compressor noise.
- **Swept-Wing Fan Blade**: Designed to significantly reduce unwanted noise.
- **Louvered Condenser Guard**: Durable metal guard protects the coil from yard hazards and extreme weather.
- **Removable Top Grille Assembly**: Allows ease of service from the top without disconnecting fan motor leads.
- **Low Pressure Switch**: Loss of charge protection ensures long compressor life. Auto-reset feature prevents nuisance service visits.
- **High Pressure Switch**: Protects against abnormally high system pressures. Auto-reset feature prevents nuisance service visits.
- **Liquid Line Filter Drier**: Included with unit, field installed.
- **One Piece Top/Orifice**: Designed for maximum airflow and quiet operation.
- **Easy Compressor and Control Access**: Designed to make servicing easier for the contractor, access panels are provided to all controls and the compressor from the side of the unit.
- **Micro-Channel**: All aluminum coils in all models which provides high corrosion resistance.

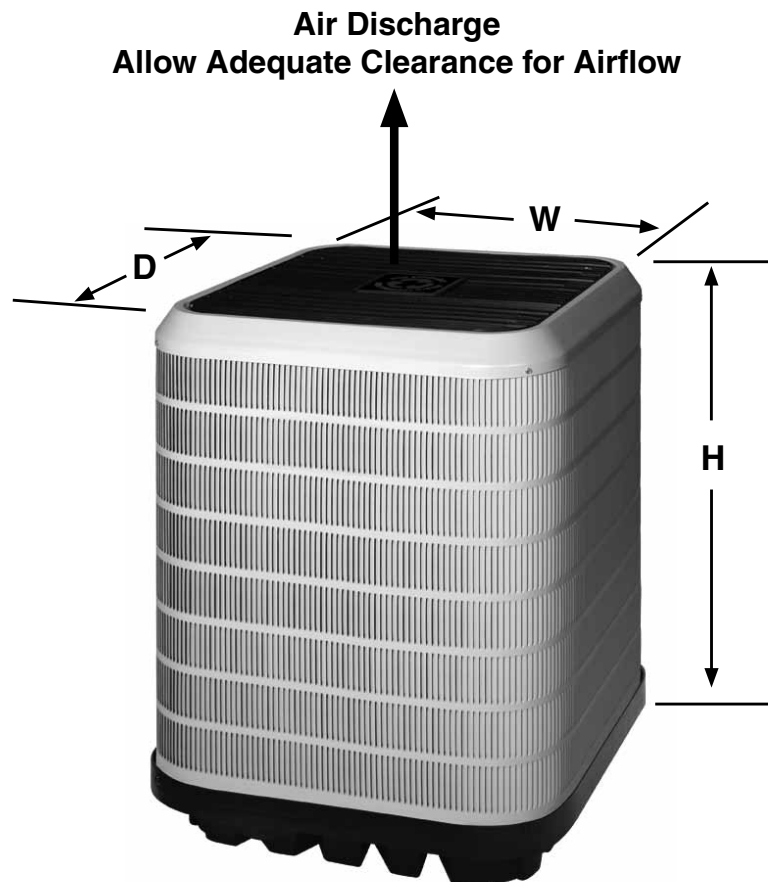
MODEL IDENTIFICATION CODES



DIMENSIONS

AIR CONDITIONER OUTDOOR SECTION

FS4BF	024KB	036KB	048KC	060KC
H	33"	37"	41"	45"
W	22 3/4"	30 3/4"	30 3/4"	30 3/4"
D	22 3/4"	30 3/4"	30 3/4"	30 3/4"



PHYSICAL AND ELECTRICAL SPECIFICATIONS / OUTDOOR UNITS

16 SEER — Extra High Efficiency — Single Phase

Model Number FS4BF-		024KB	036KB	048KC	060KC	
Electrical Data	Volts-Cycles-Phase (1)	208/230-60-1				
	Total Amps	12.6	16.5	23.7	31.4	
	Delay Fuse Max. (2)	25	35	50	60	
	Min. Circuit Ampacity	15.5	20.3	29.0	38.6	
Component Data	Coil	Area	13.3	20.3	22.8	25.4
		Rows-FPI	1-23	1-18	1-18	1-23
		Tube Dia	MC			3/8" OD
	Fan Motor	Type	PSC		BLDC	
		Amps	0.9	1.3	2.6	2.6
		HP	0.13	0.25	0.33	0.33
	Compressor Data	RLA	11.6	15.2	21.1	28.8
		LRA	58.3	83.0	104.0	152.9
Refrigerant suction line O.D.		0-24 ft.	3/4"	7/8"(4)	7/8"	7/8"
NOTE: Liquid line is 3/8" O.D. for entire length.		25-39 ft.	7/8" (3)	1-1/8" (3)	1-1/8" (3)	1-1/8" (3)
		40-75 ft.	7/8" (3)	1-1/8" (3)	1-1/8" (3)	1-1/8" (3)
Approximate Weight (lbs.)		Net	144	188	198	186
		Ship	151	197	207	195
Sound Ratings db			73	75	76	77

- (1) Operating Voltage Range: 187v min. - 253v max.
- (2) HACR Type Circuit Breakers may be used.
- (3) Requires 1-1/8" to 7/8" reducer from line to unit.
- (4) Use of a 3/4" linset will result in approximately 2% loss in capacity.
- (5) Additional charge for line sets above 15 feet.
 - Values based on suction line as follows with 3/8" liquid line.
 - a) 3/4" = 0.6 oz. per additional foot.
 - b) 7/8" = 0.7 oz. per additional foot.
 - c) 1 1/8" = 0.8 oz. per additional foot.

ACCESSORIES - Condensing Unit

Start Assist Kit - 912933

Provides additional starting torque for the compressor motor when operating with low line voltage or high operating temperatures.

Extreme Wind Condition Mounting Kit - 920900

COPPER WIRE SIZE — AWG (1% Voltage Drop)				
Supply Wire Length-Feet				Supply Circuit
200	150	100	50	Ampacity
6	8	10	14	15
4	6	8	12	20
4	6	8	10	25
4	4	6	10	30
3	4	6	8	35
3	4	6	8	40
2	3	4	6	45
2	3	4	6	50

Wire Size based on N.E.C. for 60° type copper conductors.

SYSTEM COOLING CAPACITIES

16 SEER — Extra High Efficiency — Single Phase

Outdoor Unit Number FS4BF	Indoor Unit Number C6BA/H-	High Speed Capacity (BTU/h)	SEER	EER	Low Speed SCFM	High Speed SCFM
024KB	X24(C,U)-B+MB7(E,V)M(*)B	24000	16	13	645	840
036KB	X36(C,U)-B+MB7(E,V)M(*)B	36000	16	13	810	1140
036KB	X36(C,U)-C+MB7(E,V)M(*)C	36000	16	13	810	1140
048KC	X48(C,U)-C+MB7(E,V)M(*)C	47000	16	13	975	1400
060KC	X60(C,U)-C+MB7(E,V)M(*)C	55000	16	12.5	1120	1600

Outdoor Unit Number FS4BF	Indoor Unit Number B6VMA	High Speed Capacity (BTU/h)	SEER	EER	Low Speed SCFM	High Speed SCFM
024KB	X24K-B	24000	16	13	670	930
036KB	X36K-B	36000	16	13	810	1140
048KC	X48K-C	47000	16	13	975	1400
060KC	X60K-C	55000	16	12.5	1120	1600

Air handlers and coils used in tables are designed and manufactured by NORDYNE.

See current AHRI Directory for certified combinations and ratings.

www.ahridirectory.org

CORESENSE™ DIAGNOSTIC MODULE

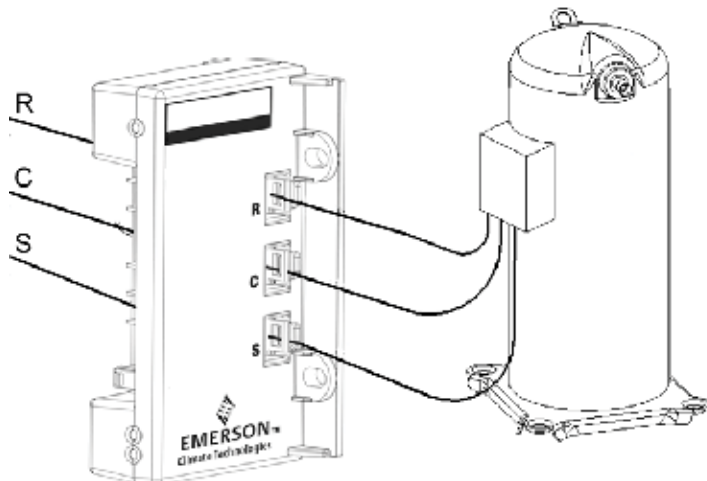


Figure 1
Wires Pulled Through Module

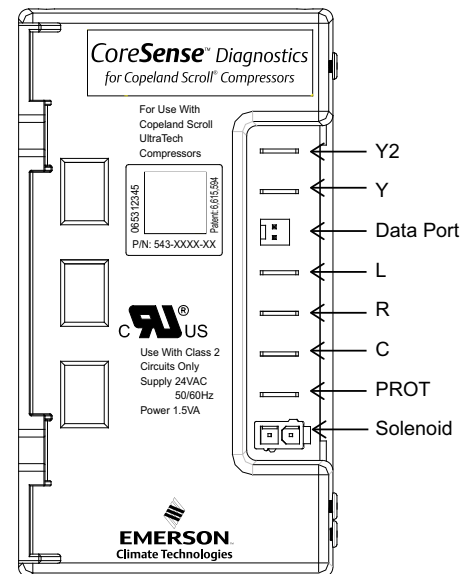


Figure 2
Terminal Locations

CORESENSE™ DIAGNOSTIC MODULE (CONT.)

CoreSense™ Flash Code Description			
Alert Code	Alert Condition	Lockout Level	Lockout Indication
Normal Run Solid Green	Normal operation, no trip.	N/A	N/A
Code1 Yellow Flash 1	Long run time. Compressor is running for more than 18 hours at full load. (Code1 is disabled in Heat Pump mode.)	N/A	N/A
Code2 Yellow Flash 2	Compressor Pressure trip. Compressor runs for 12sec to 15min followed by a compressor trip condition lasting longer than 7min.	4x consecutive, 10x total	Red: Flash 2
Code 3 Yellow Flash 3	Pressure switch cycling. Compressor runs for 12sec to 15min followed by a compressor trip lasting between 35sec to 7min.	4x consecutive, 10 total	Red: Flash 3
Code4 Yellow Flash 4	Locked rotor. Compressor trips within a compressor run time of 12sec and does not start within 35sec.	10x consecutive	Red: Flash 4
Code5 Yellow Flash 5	Compressor moderate run trip. Compressor runs for 15min to 18hrs followed by a compressor trip lasting longer than 7min.	4x consecutive, 10x total	Red: Flash 5
Code6 Red Flash 6	Open start circuit. Module has detected Y or Y1, and current in the R winding of the compressor and no current in the S winding of the compressor for 2 seconds.	1 occurrence	Red: Flash 6
Code7 Red Flash 7	Open run circuit. Module has detected Y or Y1, and current in the S winding of the compressor and no current in the R winding of the compressor for 2 seconds.	1 occurrence	Red: Flash 7
Code8 Yellow Flash 8	Welded Contactor. Module has detected line currents in R and S windings, and Y or Y1 is at 0 VAC for 15 seconds.	N/A	N/A
Code9 Yellow Flash 9	Low Voltage. Module has detected a 24 VAC supply voltage below 17 VAC +/- 1 VAC for 2 seconds	N/A	N/A
Code10 Red Flash 10	Over Current Protection. PROT terminal has above a 2A input for more than 40 milliseconds.	1 occurrence	Red: Flash 10

EXPANDED COOLING PERFORMANCE - 2-STAGE AC SYSTEMS

FS4BF-024KB C6B(A,H)-X26(C,U)-B + VSB - High Speed
 FS4BF-024KB B6VMAX24K-B - High Speed

O.D.T			65°F			75°F			85°F			95°F			105°F			115°F		
CFM	E.D.B.	E.W.B.	T.C.	S.C.	K.W.	T.C.	S.C.	K.W.	T.C.	S.C.	K.W.	T.C.	S.C.	K.W.	T.C.	S.C.	K.W.	T.C.	S.C.	K.W.
700	80	62	26.5	20.9	1.39	25.6	20.8	1.53	24.5	20.9	1.69	23.4	20.5	1.86	22.14	21.60	2.08	20.85	20.33	2.34
	80	67	28.6	17.0	1.41	27.6	16.9	1.55	26.4	17.1	1.70	25.2	16.7	1.88	23.80	16.46	2.10	22.44	15.49	2.35
	80	72	31.5	13.1	1.43	30.3	13.0	1.57	29.0	13.3	1.73	27.5	13.0	1.92	26.11	12.86	2.12	24.58	13.22	2.37
	75	62	26.3	17.2	1.39	25.3	17.1	1.53	24.2	17.2	1.69	23.1	16.9	1.86	21.86	15.61	2.07	20.57	16.84	2.33
800	80	62	27.2	22.6	1.41	26.2	23.0	1.55	25.1	22.5	1.71	24.0	22.3	1.88	22.77	22.00	2.11	21.65	21.47	2.36
	80	67	29.3	18.1	1.43	28.2	18.7	1.57	27.0	18.2	1.72	25.7	18.0	1.90	24.27	18.00	2.12	22.92	18.17	2.37
	80	72	32.2	13.8	1.45	30.9	14.5	1.60	29.5	14.1	1.75	28.0	14.0	1.93	26.24	14.06	2.14	24.60	14.10	2.39
	75	62	26.9	18.4	1.41	25.9	18.9	1.55	24.8	18.4	1.70	23.7	18.4	1.88	22.38	18.29	2.09	21.00	18.20	2.35
900	80	62	28.2	25.0	1.44	27.1	25.1	1.58	25.9	24.1	1.73	24.7	23.5	1.91	23.51	22.71	2.13	22.32	22.22	2.38
	80	67	29.9	19.6	1.45	28.8	19.8	1.59	27.5	19.3	1.74	26.1	19.2	1.93	24.70	19.28	2.14	23.27	19.38	2.39
	80	72	32.6	14.9	1.47	31.2	15.2	1.61	29.5	14.8	1.77	28.0	14.7	1.95	26.48	14.65	2.16	24.93	14.81	2.40
	75	62	27.9	20.4	1.43	26.8	20.6	1.57	25.6	20.1	1.73	24.4	20.0	1.90	22.98	19.79	2.13	21.58	19.81	2.37

FS4BF-024KB C6B(A,H)-X26(C,U)-B + VSB - Low Speed
 FS4BF-024KB B6VMAX24K-B - Low Speed

O.D.T			65°F			75°F			85°F			95°F			105°F			115°F		
CFM	E.D.B.	E.W.B.	T.C.	S.C.	K.W.	T.C.	S.C.	K.W.	T.C.	S.C.	K.W.	T.C.	S.C.	K.W.	T.C.	S.C.	K.W.	T.C.	S.C.	K.W.
700	80	62	20.7	18.6	0.92	20.1	18.3	1.04	19.4	18.1	1.17	18.5	17.4	1.32	17.55	17.25	1.50	16.56	16.28	1.69
	80	67	22.2	14.8	0.91	21.4	14.8	1.03	20.5	15.0	1.16	19.4	14.8	1.32	18.25	14.55	1.49	17.05	14.26	1.69
	80	72	24.3	11.1	0.89	23.3	11.1	1.01	22.1	11.3	1.14	20.9	11.0	1.31	19.62	10.83	1.48	18.32	11.00	1.69
	75	62	20.4	15.2	0.92	19.7	15.1	1.04	18.8	15.2	1.18	17.8	14.9	1.33	16.74	13.69	1.50	15.63	14.73	1.70
800	80	62	21.5	19.4	0.92	20.9	19.5	1.04	20.1	18.7	1.18	19.1	18.1	1.33	18.14	17.53	1.50	17.09	16.95	1.70
	80	67	22.7	16.1	0.91	21.9	16.6	1.03	20.9	16.2	1.17	19.7	16.1	1.32	18.55	16.03	1.50	17.32	15.98	1.70
	80	72	24.5	11.8	0.90	23.5	12.3	1.02	22.4	11.9	1.15	21.2	11.8	1.31	19.92	11.81	1.49	18.58	11.79	1.70
	75	62	20.8	16.4	0.93	20.1	16.8	1.04	19.2	16.4	1.18	18.2	16.2	1.34	17.05	16.12	1.51	16.00	15.86	1.70
900	80	62	22.2	20.2	0.92	21.5	20.1	1.04	20.7	19.3	1.18	19.7	18.7	1.33	18.62	17.99	1.51	17.54	17.47	1.70
	80	67	23.1	17.5	0.92	22.2	17.7	1.04	21.2	17.4	1.17	20.0	17.3	1.33	18.79	17.14	1.51	17.56	17.16	1.70
	80	72	24.8	12.7	0.90	23.9	12.9	1.02	22.7	12.6	1.16	21.4	12.5	1.32	20.11	12.41	1.50	18.75	12.46	1.70
	75	62	21.4	18.1	0.93	20.6	18.3	1.05	19.9	17.7	1.19	18.5	17.4	1.34	17.43	16.85	1.51	16.38	16.31	1.71

FS4BF-036KB C6B(A,H)-X36(C,U)-B + VSB - High Speed
 FS4BF-036KB B6VMAX36K-B - High Speed

O.D.T			65°F			75°F			85°F			95°F			105°F			115°F		
CFM	E.D.B.	E.W.B.	T.C.	S.C.	K.W.	T.C.	S.C.	K.W.	T.C.	S.C.	K.W.	T.C.	S.C.	K.W.	T.C.	S.C.	K.W.	T.C.	S.C.	K.W.
1050	80	62	39.0	31.3	2.11	37.5	31.1	2.30	35.9	31.3	2.50	34.2	30.7	2.77	32.41	31.86	3.07	30.67	30.15	3.40
	80	67	42.4	25.4	2.15	40.6	25.3	2.32	38.8	25.7	2.55	36.9	25.2	2.80	34.95	24.90	3.09	32.84	23.54	3.42
	80	72	46.3	19.4	2.20	44.3	19.3	2.37	42.4	19.7	2.58	40.4	19.4	2.83	38.24	19.11	3.11	35.91	19.59	3.44
	75	62	38.8	26.0	2.11	37.2	25.8	2.29	35.6	26.0	2.50	33.8	25.5	2.77	32.03	23.51	3.07	30.05	25.24	3.40
1200	80	62	40.1	33.9	2.16	38.5	34.5	2.33	36.8	33.8	2.55	35.2	33.2	2.81	33.60	32.47	3.11	31.84	31.57	3.45
	80	67	43.2	27.5	2.19	41.4	28.3	2.36	39.5	27.6	2.58	37.6	27.3	2.83	35.60	27.36	3.12	33.45	27.35	3.46
	80	72	47.2	20.6	2.24	45.1	21.5	2.42	43.2	20.9	2.63	41.1	20.8	2.86	38.85	20.97	3.15	36.43	21.11	3.48
	75	62	39.7	27.9	2.15	38.1	28.6	2.33	36.4	27.9	2.54	34.5	27.5	2.81	32.67	27.48	3.10	30.64	27.37	3.44
1350	80	62	41.0	36.8	2.19	39.5	36.8	2.37	38.0	35.4	2.59	36.4	34.5	2.85	34.66	33.49	3.15	32.81	32.67	3.48
	80	67	44.0	29.8	2.23	42.1	30.1	2.40	40.2	29.4	2.62	38.2	29.3	2.87	36.16	29.18	3.16	33.91	29.30	3.49
	80	72	47.9	22.3	2.29	45.8	22.7	2.45	43.7	22.1	2.66	41.6	22.2	2.90	39.25	22.15	3.18	36.74	22.44	3.51
	75	62	40.5	30.2	2.19	38.8	30.4	2.37	37.0	29.7	2.58	35.1	29.5	2.84	33.20	29.29	3.14	31.11	29.29	3.47

FS4BF-036KB C6B(A,H)-X36(C,U)-B + VSB - Low Speed
 FS4BF-036KB B6VMAX36K-B - Low Speed

O.D.T			65°F			75°F			85°F			95°F			105°F			115°F		
CFM	E.D.B.	E.W.B.	T.C.	S.C.	K.W.	T.C.	S.C.	K.W.	T.C.	S.C.	K.W.	T.C.	S.C.	K.W.	T.C.	S.C.	K.W.	T.C.	S.C.	K.W.
1050	80	62	30.1	27.1	1.33	28.9	26.3	1.46	27.7	25.8	1.64	26.4	24.8	1.85	25.04	24.61	2.09	23.50	23.11	2.37
	80	67	32.1	22.3	1.31	30.6	22.1	1.46	29.1	22.3	1.63	27.5	21.9	1.85	25.81	21.56	2.09	23.95	21.27	2.37
	80	72	35.1	16.5	1.29	33.5	16.4	1.44	31.8	16.7	1.62	30.0	16.4	1.83	27.98	16.08	2.09	25.89	16.27	2.38
	75	62	29.3	22.5	1.33	27.9	22.3	1.47	26.5	22.4	1.65	25.0	22.0	1.86	23.50	20.11	2.10	21.88	21.51	2.38
1200	80	62	31.3	28.2	1.34	30.0	28.0	1.48	28.7	26.8	1.65	27.4	25.9	1.86	25.92	25.05	2.11	24.27	24.06	2.39
	80	67	32.7	24.1	1.32	31.2	24.7	1.47	29.6	24.1	1.65	28.0	23.9	1.86	26.26	23.82	2.11	24.33	23.66	2.39
	80	72	35.5	17.7	1.30	33.8	18.3	1.45	32.1	17.8	1.63	30.3	17.6	1.85	28.40	17.65	2.11	26.26	17.66	2.40
	75	62	29.9	24.4	1.35	28.5	24.8	1.48	27.1	24.3	1.66	25.6	23.9	1.87	24.14	23.32	2.11	22.59	22.40	2.39
1350	80	62	32.3	29.4	1.34	31.0	28.9	1.49	29.6	27.6	1.66	28.2	26.8	1.88	26.65	25.75	2.12	24.84	24.74	2.42
	80	67	33.2	26.3	1.34	31.7	26.5	1.48	30.1	25.9	1.66	28.4	25.8	1.88	26.70	25.53	2.12	24.86	24.75	2.42
	80	72	35.9	19.1	1.31	34.2	19.4	1.46	32.5	18.9	1.65	30.7	18.9	1.87	28.67	18.79	2.13	26.55	18.85	2.41
	75	62	30.4	26.5	1.36	29.0	26.6	1.50	27.6	25.8	1.68	26.3	24.9	1.89	24.79	23.96	2.13	23.16	23.07	2.41

EXPANDED COOLING PERFORMANCE - 2-STAGE AC SYSTEMS (CONT.)

FS4BF-048KC C6B(A,H)-X48(C,U)-C + VSB - High Speed
 FS4BF-048KC B6VMAX48K-C - High Speed

O.D.T		65°F			75°F			85°F			95°F			105°F			115°F			
CFM	E.D.B.	E.W.B.	T.C.	S.C.	K.W.	T.C.	S.C.	K.W.	T.C.	S.C.	K.W.	T.C.	S.C.	K.W.	T.C.	S.C.	K.W.	T.C.	S.C.	K.W.
1400	80	62	50.3	40.7	2.66	48.3	40.4	2.94	46.2	40.6	3.24	43.9	39.8	3.58	41.59	40.89	3.99	39.47	38.80	4.45
	80	67	54.2	33.0	2.70	52.0	32.8	2.97	49.7	33.1	3.27	47.3	32.7	3.62	44.61	32.15	4.02	41.96	30.63	4.49
	80	72	59.2	25.1	2.73	56.8	25.0	3.00	54.2	25.5	3.31	51.5	25.0	3.66	48.56	24.59	4.06	45.63	25.23	4.54
	75	62	49.9	33.8	2.65	47.9	33.5	2.93	45.8	33.7	3.23	43.4	33.0	3.58	41.01	30.46	3.98	38.57	32.65	4.44
1600	80	62	51.6	44.0	2.72	49.6	44.8	2.99	47.4	43.7	3.29	45.3	42.8	3.64	43.10	41.64	4.05	40.86	40.52	4.52
	80	67	55.4	35.6	2.74	53.2	36.6	3.02	50.7	35.7	3.32	48.1	35.3	3.67	45.38	35.27	4.07	42.66	35.26	4.54
	80	72	60.3	26.6	2.78	57.8	27.8	3.05	55.1	27.0	3.36	52.2	26.8	3.71	49.22	26.96	4.12	46.16	27.16	4.59
	75	62	51.0	36.2	2.71	49.0	37.0	2.99	46.8	36.1	3.29	44.3	35.6	3.63	41.75	35.45	4.03	39.21	35.32	4.49
1800	80	62	52.7	47.5	2.77	50.9	47.4	3.04	48.8	45.5	3.35	46.6	44.3	3.70	44.34	42.84	4.10	41.99	41.81	4.58
	80	67	56.3	38.5	2.79	54.0	38.9	3.07	51.4	38.0	3.37	48.8	37.8	3.72	46.00	37.54	4.12	43.19	37.70	4.59
	80	72	61.1	28.7	2.82	58.5	29.3	3.10	55.7	28.5	3.41	52.6	28.5	3.76	49.45	28.45	4.16	46.33	28.78	4.63
	75	62	51.9	39.0	2.77	49.8	39.3	3.04	47.5	38.4	3.34	45.0	38.1	3.68	42.37	37.71	4.08	39.84	37.72	4.55

FS4BF-048KC C6B(A,H)-X48(C,U)-C + VSB - Low Speed
 FS4BF-048KC B6VMAX48K-C - Low Speed

O.D.T		65°F			75°F			85°F			95°F			105°F			115°F			
CFM	E.D.B.	E.W.B.	T.C.	S.C.	K.W.	T.C.	S.C.	K.W.	T.C.	S.C.	K.W.	T.C.	S.C.	K.W.	T.C.	S.C.	K.W.	T.C.	S.C.	K.W.
1400	80	62	38.5	34.7	1.62	37.2	33.9	1.86	35.7	33.3	2.13	33.9	31.8	2.45	31.94	31.40	2.79	29.87	29.37	3.17
	80	67	41.0	28.4	1.60	39.3	28.3	1.84	37.4	28.5	2.13	35.2	27.9	2.45	32.85	27.40	2.79	30.43	26.99	3.16
	80	72	44.4	21.0	1.58	42.6	21.0	1.83	40.4	21.2	2.13	38.1	20.8	2.44	35.64	20.34	2.77	33.00	20.59	3.15
	75	62	37.5	28.8	1.62	36.0	28.6	1.87	34.2	28.7	2.14	32.2	28.1	2.44	29.94	25.39	2.80	27.74	27.21	3.18
1600	80	62	40.0	36.0	1.63	38.6	36.0	1.87	37.0	34.5	2.15	35.0	33.1	2.47	33.00	31.89	2.81	30.83	30.57	3.18
	80	67	41.8	30.7	1.62	40.0	31.4	1.87	38.0	30.7	2.15	35.8	30.3	2.47	33.43	30.17	2.81	31.01	29.89	3.18
	80	72	45.1	22.4	1.60	43.3	23.3	1.85	41.0	22.6	2.15	38.7	22.3	2.46	36.15	22.28	2.79	33.45	22.19	3.17
	75	62	38.3	31.1	1.64	36.7	31.7	1.89	34.9	30.9	2.16	32.9	30.4	2.46	30.73	29.69	2.82	28.61	28.37	3.20
1800	80	62	41.2	37.5	1.64	39.7	37.0	1.89	38.0	35.4	2.17	36.0	34.2	2.49	33.89	32.74	2.83	31.63	31.49	3.20
	80	67	42.4	33.3	1.64	40.6	33.6	1.89	38.6	32.9	2.17	36.3	32.6	2.49	34.00	32.17	2.83	31.64	31.51	3.20
	80	72	45.7	24.1	1.62	43.8	24.6	1.88	41.5	23.9	2.17	39.1	23.8	2.48	36.56	23.57	2.81	33.83	23.60	3.19
	75	62	38.9	33.6	1.66	37.4	33.8	1.90	35.5	32.9	2.18	33.6	31.9	2.49	31.50	30.44	2.84	29.31	29.18	3.22

FS4BF-060KC B6VMAX60K-C High Speed

O.D.T		65°F			75°F			85°F			95°F			105°F			115°F			
CFM	E.D.B.	E.W.B.	T.C.	S.C.	K.W.	T.C.	S.C.	K.W.	T.C.	S.C.	K.W.	T.C.	S.C.	K.W.	T.C.	S.C.	K.W.	T.C.	S.C.	K.W.
1450	80	62	56.8	43.7	3.24	54.6	43.4	3.54	52.4	43.6	3.90	50.0	42.9	4.33	47.56	45.15	4.81	44.96	42.68	5.36
	80	67	61.9	35.7	3.26	59.5	35.4	3.56	57.0	35.9	3.93	54.3	35.2	4.35	51.57	34.80	4.85	48.58	32.72	5.40
	80	72	67.7	27.6	3.27	65.0	27.5	3.58	62.4	28.1	3.95	59.5	27.6	4.39	56.52	27.23	4.88	53.36	28.01	5.45
	75	62	56.6	36.3	3.23	54.3	36.0	3.54	52.0	36.3	3.90	49.6	35.6	4.32	47.19	33.33	4.81	44.51	35.70	5.36
1600	80	62	58.0	46.2	3.28	55.7	47.1	3.59	53.4	46.1	3.95	51.0	45.6	4.37	48.46	45.55	4.86	45.85	45.35	5.41
	80	67	62.9	37.5	3.30	60.4	38.6	3.61	57.8	37.7	3.97	55.0	37.4	4.40	52.21	37.50	4.89	49.32	37.85	5.45
	80	72	68.9	28.8	3.31	66.2	30.1	3.63	63.4	29.3	4.00	60.4	29.1	4.43	57.33	29.33	4.93	54.06	29.61	5.50
	75	62	57.5	38.2	3.28	55.3	39.1	3.59	52.9	38.1	3.95	50.5	38.0	4.37	47.92	37.94	4.86	45.18	37.87	5.40
1750	80	62	59.0	49.2	3.33	56.7	49.5	3.63	54.3	48.5	4.00	51.8	48.2	4.42	49.41	47.62	4.91	47.04	46.84	5.47
	80	67	63.8	39.9	3.34	61.2	40.5	3.66	58.5	39.5	4.02	55.8	39.4	4.45	52.94	39.53	4.94	49.86	39.80	5.50
	80	72	69.8	30.6	3.36	67.0	31.3	3.67	64.1	30.4	4.04	61.1	30.5	4.48	57.91	30.46	4.98	54.56	30.97	5.55
	75	62	58.5	40.5	3.32	56.1	41.1	3.63	53.7	40.2	3.99	51.2	40.0	4.41	48.55	39.68	4.90	45.73	39.80	5.45

FS4BF-060KC B6VMAX60K-C Low Speed

O.D.T		65°F			75°F			85°F			95°F			105°F			115°F			
CFM	E.D.B.	E.W.B.	T.C.	S.C.	K.W.	T.C.	S.C.	K.W.	T.C.	S.C.	K.W.	T.C.	S.C.	K.W.	T.C.	S.C.	K.W.	T.C.	S.C.	K.W.
970	80	62	39.3	29.1	1.98	37.9	29.3	2.28	36.2	29.5	2.62	34.4	28.9	3.00	32.38	30.53	3.45	30.29	28.55	3.93
	80	67	43.1	24.1	1.95	41.3	23.9	2.26	39.5	24.2	2.60	37.4	23.7	3.00	35.27	23.27	3.43	32.94	21.62	3.91
	80	72	47.3	18.9	1.92	45.4	18.8	2.23	43.2	19.1	2.59	41.1	18.7	2.97	38.82	18.35	3.40	36.33	18.77	3.89
	75	62	39.2	24.5	1.98	37.6	24.3	2.29	36.0	24.4	2.62	34.2	23.9	3.00	32.07	21.82	3.45	29.94	23.48	3.93
1120	80	62	41.6	33.2	1.98	39.9	33.8	2.29	38.1	33.1	2.63	36.1	32.7	3.02	34.06	32.50	3.46	32.09	31.82	3.94
	80	67	45.2	26.9	1.95	43.3	27.7	2.26	41.2	27.0	2.61	39.0	26.6	3.01	36.79	26.62	3.44	34.38	26.76	3.92
	80	72	49.6	20.7	1.92	47.5	21.6	2.24	45.2	20.9	2.60	42.9	20.7	2.98	40.39	20.79	3.41	37.71	20.87	3.90
	75	62	41.3	27.4	1.98	39.6	28.0	2.29	37.8	27.5	2.63	35.9	27.1	3.02	33.62	26.92	3.46	31.33	26.74	3.94
1270	80	62	42.8	36.3	1.99	41.0	36.4	2.30	39.1	35.6	2.64	37.2	35.2	3.04	35.35	34.15	3.47	33.33	33.19	3.95
	80	67	46.3	29.3	1.96	44.3	29.6	2.28	42.2	28.9	2.63	40.0	29.0	3.02	37.58	28.73	3.45	35.03	28.80	3.94
	80	72	50.7	22.4	1.93	48.4	22.8	2.25	46.1	22.1	2.61	43.7	22.1	3.00	41.07	22.00	3.43	38.25	22.24	3.92
	75	62	42.4	29.9	1.99	40.6	30.2	2.30	38.7	29.4	2.65	36.5	29.2	3.04	34.35	28.84	3.48	31.99	28.78	3.96



For current Energy Star Information please refer to www.energystar.gov

GENERAL TERMS OF LIMITED WARRANTY

Nortek Global HVAC LLC will furnish a replacement for any part of this product which fails in normal use and service within the terms and conditions of the warranty.

For complete details of the Limited Warranty, including applicable terms and conditions, see your local installer or contact the Nortek Global HVAC LLC warranty department for a copy.

Before purchasing this appliance, read important energy cost and efficiency information available from your retailer. Specifications and illustrations subject to change without notice and without incurring obligations. Printed in U.S.A (01 /2015)