

KG7S (D and M Series)

High Efficiency,
Single Stage Condensing,
Upflow/Horizontal and Downflow Gas
Furnace Models
95.0 AFUE
38,000 - 120,000 Btuh Input

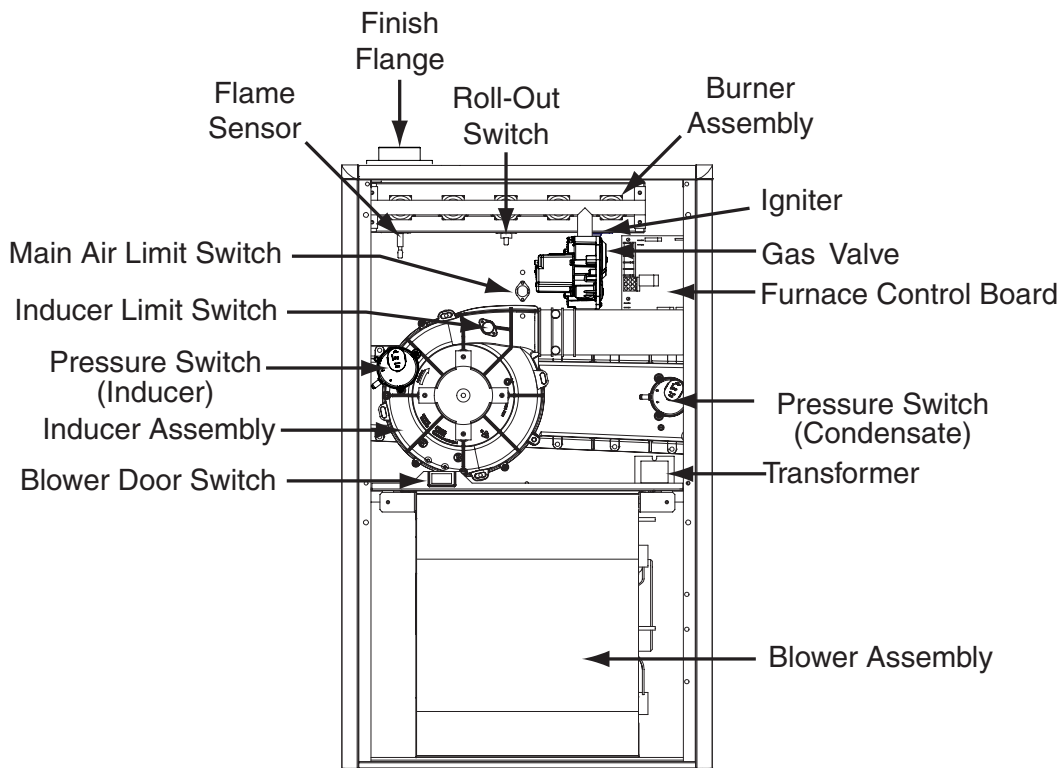
The high efficiency upflow gas furnace may be installed free standing in a utility room, basement, or enclosed in an alcove or closet. Upflow/Horizontal units come ready for upflow or horizontal application. The extended flush jacket provides a pleasing "appliance appearance." Design certified by CSA for application in Canada and the United States.



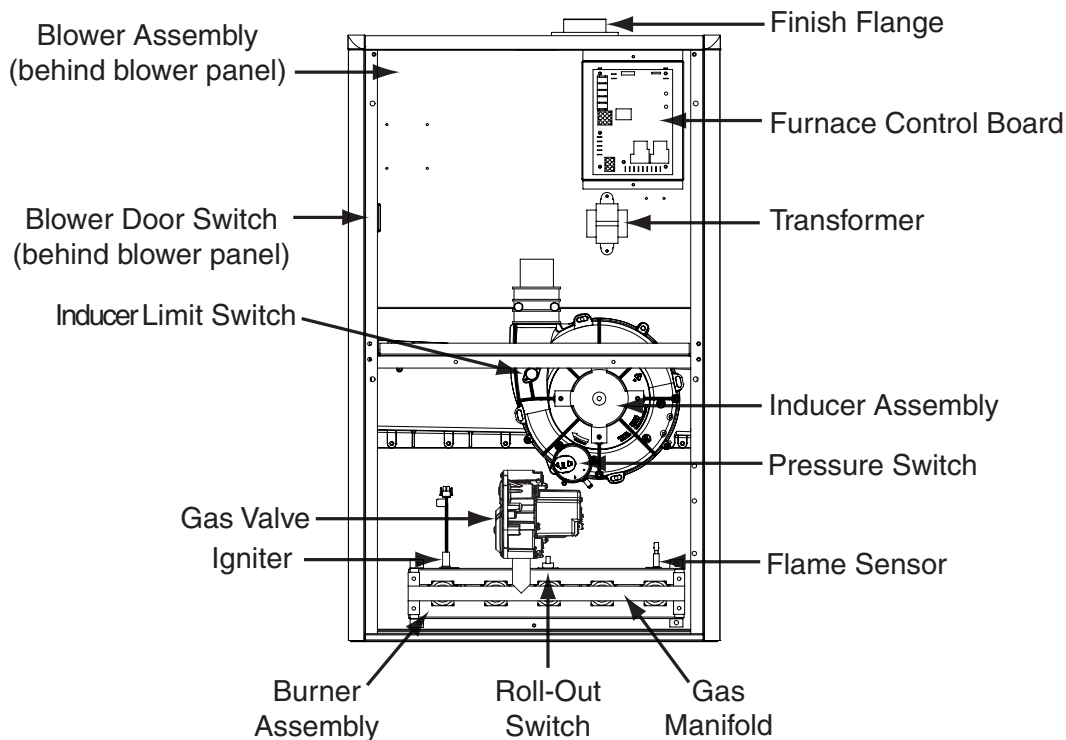
FEATURES and BENEFITS

- **100% fired and tested** — All units and each component are tested on the manufacturing line.
- **Best packaging in the industry** — Unique corner post design assures product will arrive to the homeowner dent free.
- **30 second blower delay** at start-up assures a warm duct temperature at furnace start-up. Adjustable blower off settings (60, 90, 120 and 180 seconds).
- **30 second post purge** increases life of heat exchanger.
- **Hot surface igniter** — Innovative application of an appliance type igniter with a 20 year history of reliability. Utilizes proven Smartlite® technology.
- **Color coded wire harness** — Designed to fit the components, all with quick-connect fittings for ease of service and replacement.
- **Flexible category IV venting system** — May be vertically or horizontally vented using either a one-pipe or two-pipe system for maximum flexibility in installation.
- **High Static Blowers** — All models equipped with high static blowers.
- **Low Boy Height** — Easy to apply in low ceiling applications, works well with taller high SEER coils, easier to handle and install.
- **Tubular primary heat exchanger** — Heavy gauge aluminized steel heat exchanger and stainless steel secondary heat exchanger assures a long life.
- **60 second fixed cooling cycle blower-off delay (TDR)** increases cooling performance when matched with a NORDYNE coil.
- **High efficiency blower kits** maximize efficiencies. On select units, a SEER improvement of up to 1 point is realized.
- **Multi-speed direct drive blower** — Designed to give a wide range of cooling capacities. Switches on PCB, provide ultra easy motor speed selection.
- **LP convertible** — Simple burner orifice and regulator spring change for ease of convertibility.
- **Diagnostic lights for easy troubleshooting without counting flashes** — Dedicated light for flame signal strength and 2 lights in combination to indicate all other fault codes with easy to recognize states without counting flashes.
- **Incorporates integrated control board** with connections for electronic air cleaner, humidifier, and twinning.
- **Two piece door design** enhances furnace appearance and uses captured screws to prevent losing door screws.
- **Seated vestibule** reduces burner and inducer sound levels.

GAS FURNACE COMPONENTS



***SD Series -Upflow / Horizontal Furnace**

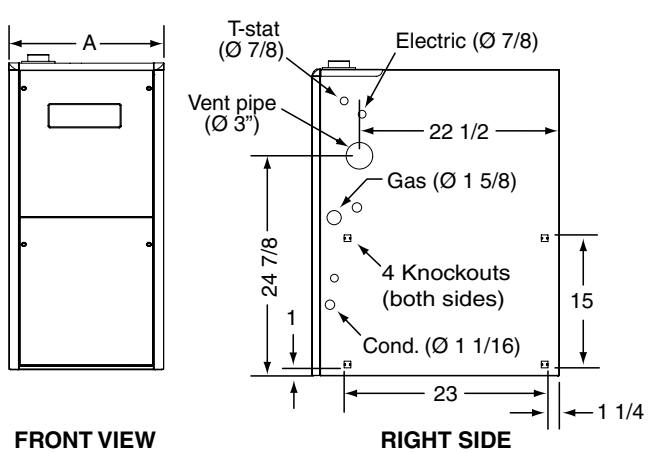
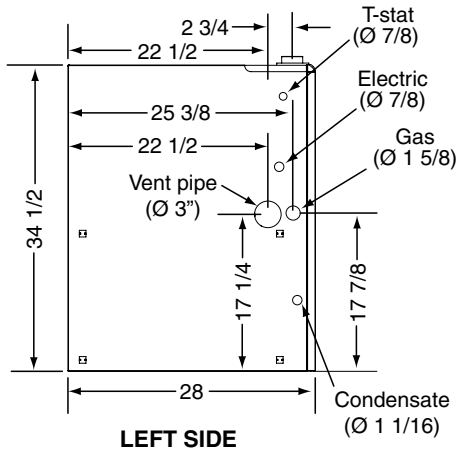
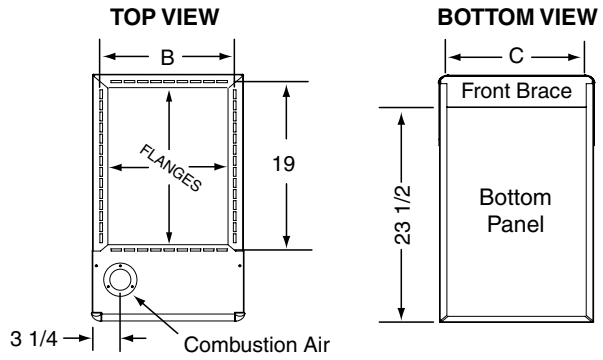


***SM Series Downflow Furnace**

DIMENSIONS

| *SD Upflow / Horizontal Furnaces | | | |
|---|----------|---------|---------|
| Model #'s | Dim. -A- | Dim -B- | Dim -C- |
| 038D-24B | 17 1/2 | 15 7/8 | 16 1/8 |
| 054D-24B | | | |
| 072D-35C | 21 | 19 3/8 | 19 5/8 |
| 090D-35C | | | |
| 108D-45D | 24 1/2 | 22 7/8 | 23 1/8 |
| 120D-45D | | | |

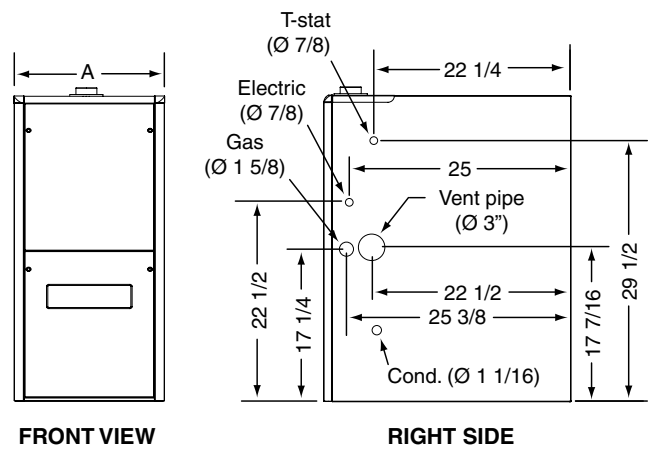
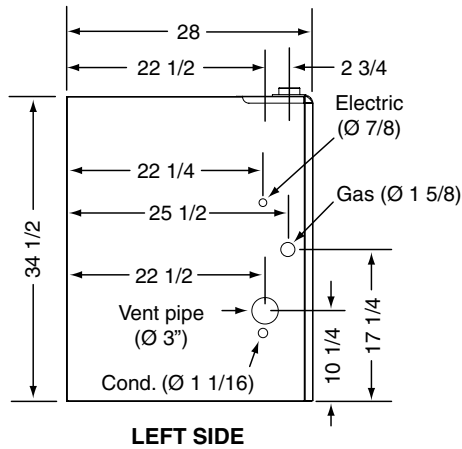
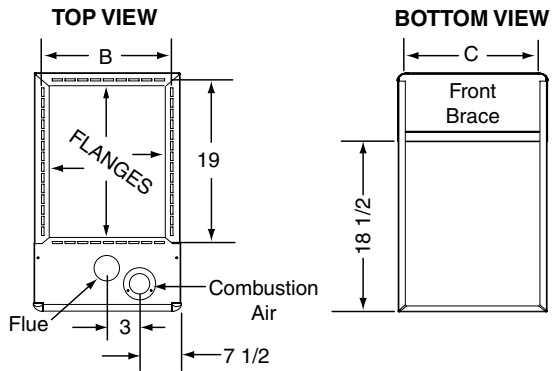
NOTE: Dimensions shown in inches.



*SD Series -Upflow / Horizontal Furnace

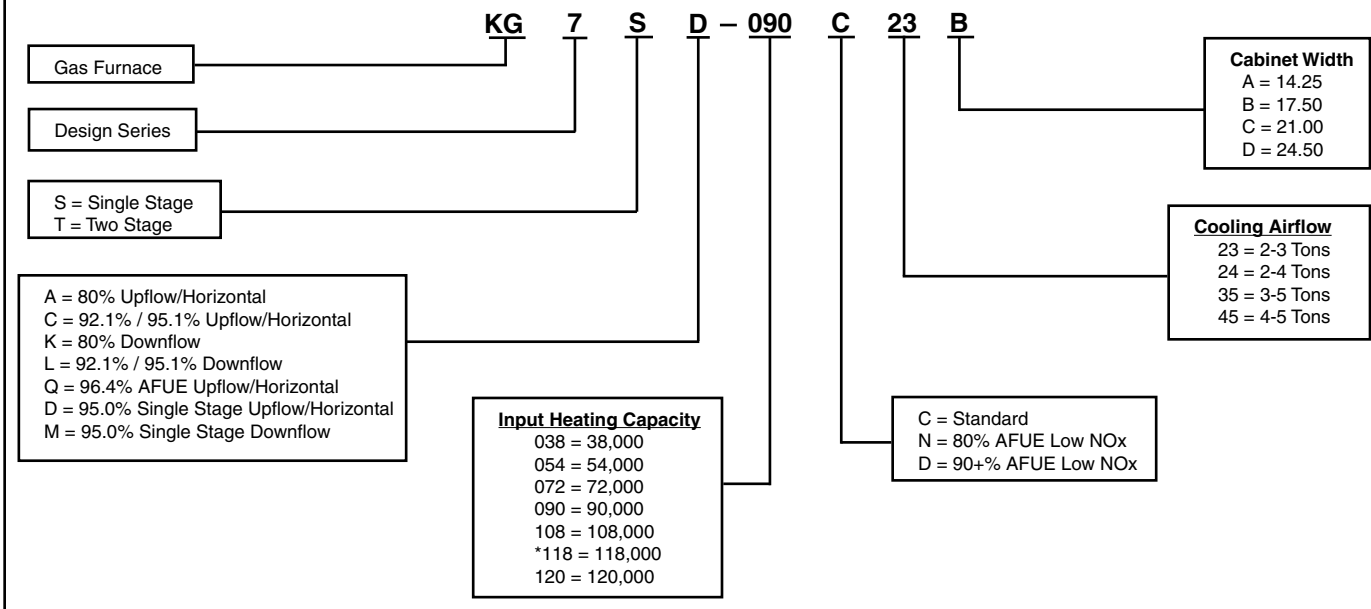
| *SM Downflow Furnaces | | | |
|------------------------------|----------|----------|----------|
| Model #'s | Dim. -A- | Dim. -B- | Dim. -C- |
| 054D-24B | 17 1/2 | 15 7/8 | 16 1/8 |
| 072D-35C | 21 | 19 3/8 | 19 5/8 |
| 090D-35C | | | |
| 118D-45D | 24 1/2 | 22 7/8 | 23 1/8 |

NOTE: Dimensions shown in inches.



*SM Series -Downflow Furnace

MODEL IDENTIFICATION CODE



* 118 = 118,000 for SM Models

SPECIFICATIONS

| KG7SD MODEL NUMBERS: | -038D-24B | -054D-24B | -072D-35C | -090D-35C | -108D-45D | -120D-45D |
|-----------------------------|------------------|------------------|------------------|------------------|------------------|------------------|
| Input - Btuh (a) | 38,000 | 54,000 | 72,000 | 90,000 | 108,000 | 120,000 |
| Heating Capacity - Btuh | 36,100 | 51,300 | 68,400 | 85,500 | 102,600 | 114,000 |
| AFUE | 95.0 | 95.0 | 95.0 | 95.0 | 95.0 | 95.0 |
| Blower D x W | 10 x 8 | 11 x 8 | 10 x 10 | 1 x 10 | 11 x 10 | 11 x 10 |
| Motor H.P. - Speed - Type | 1/2 - 4 - PSC | 1/2 - 4 - PSC | 1/2 - 4 - PSC | 1 - 4 - PSC | 1 - 4 - PSC | 1 - 4 - PSC |
| Motor FLA | 8.6 | 8.6 | 8.0 | 13.75 | 13.75 | 13.75 |
| Rated Ext. SP - In. W.C. | 0.5 | 0.5 | 0.5 | 0.5 | 0.5 | 0.5 |
| Temperature Rise Range - °F | 30-60 | 30-60 | 35-65 | 35-65 | 40-70 | 40-70 |
| Shipping Weights | 100lbs | 120lbs | 130lbs | 135lbs | 155lbs | 155lbs |

| KG7SM MODEL NUMBERS: | -054D-24B | -072D-35C | -090D-35C | -118D-45D |
|-----------------------------|------------------|------------------|------------------|------------------|
| Input - Btuh (a) | 54,000 | 72,000 | 90,000 | 118,000 |
| Heating Capacity - Btuh | 51,300 | 68,400 | 85,500 | 112,100 |
| AFUE | 95.0 | 95.0 | 95.0 | 95.0 |
| Blower D x W | 11 x 8 | 11 x 10 | 11 x 10 | 11 x 10 |
| Motor H.P. - Speed - Type | 1/2 - 4 - PSC | 1 - 4 - PSC | 1 - 4 - PSC | 1 - 4 - PSC |
| Motor FLA | 8.6 | 13.7 | 13.7 | 13.75 |
| Rated Ext. SP - In. W.C. | 0.5 | 0.5 | 0.5 | 0.5 |
| Temperature Rise Range - °F | 30-60 | 35-65 | 35-65 | 40-70 |
| Shipping Weights | 120lbs | 125lbs | 135lbs | 155lbs |

Note: All models are 115V, 60 Hz. Gas Connections are 1/2" N.P.T. AFUE = Annual Fuel Utilization Efficiency
 (a) Ratings to 2,000 ft. Over 2,000 ft. reduce 4% for each 1,000 ft. above sea level.

BLOWER PERFORMANCE - KG7SD

| MAXIMUM AIRFLOW & TEMPERATURE RISES (° F) FOR *SD SERIES UPFLOW / HORIZONTAL FURNACES | | | | | | | | | | | | | | | | | |
|--|----------------|--|------|------|------|------|------|------|------|------|------|------|------|------|------|------|------|
| Model Number & Heating Input (Btuh) | Motor Speed | External Static Pressure (Inches Water Column) | | | | | | | | | | | | | | | |
| | | 0.1 | | 0.2 | | 0.3 | | 0.4 | | 0.5 | | 0.6 | | 0.7 | | 0.8 | |
| | | CFM | Rise | CFM | Rise | CFM | Rise | CFM | Rise | CFM | Rise | CFM | Rise | CFM | Rise | CFM | Rise |
| SD038D-24B Bottom Return (38,000) | HIGH* | 1519 | — | 1483 | — | 1433 | — | 1397 | — | 1335 | — | 1272 | — | 1214 | — | 1130 | — |
| | MED-H** | 1238 | — | 1216 | — | 1188 | — | 1164 | — | 1136 | 30 | 1092 | 31 | 1043 | 32 | 973 | 34 |
| | MED-L | 1094 | 31 | 1082 | 32 | 1052 | 32 | 1034 | 33 | 1021 | 34 | 977 | 34 | 928 | 36 | 865 | 37 |
| | LOW | 841 | 40 | 817 | 42 | 801 | 43 | 786 | 45 | 750 | 46 | 720 | 48 | 683 | 49 | 639 | 53 |
| SD038D-24B Side Return (38,000) | HIGH* | 1664 | — | 1631 | — | 1596 | — | 1546 | — | 1489 | — | 1433 | — | 1366 | — | 1285 | — |
| | MED-H | 1272 | — | 1255 | — | 1249 | — | 1217 | — | 1189 | — | 1145 | 30 | 1096 | 31 | 1036 | 33 |
| | MED-L** | 1130 | — | 1114 | 31 | 1100 | 31 | 1079 | 31 | 1048 | 33 | 1025 | 33 | 987 | 35 | 944 | 36 |
| | LOW | 869 | 39 | 839 | 42 | 809 | 42 | 790 | 44 | 764 | 45 | 739 | 47 | 711 | 48 | 664 | 52 |
| SD054D-24B Bottom Return (54,000) | HIGH* | 1519 | 33 | 1483 | 34 | 1433 | 35 | 1397 | 36 | 1335 | 37 | 1272 | 39 | 1214 | 41 | 1130 | 44 |
| | MED-H | 1238 | 40 | 1216 | 41 | 1188 | 42 | 1164 | 43 | 1136 | 44 | 1092 | 46 | 1043 | 48 | 973 | 51 |
| | MED-L** | 1094 | 46 | 1082 | 46 | 1052 | 48 | 1034 | 48 | 1021 | 49 | 977 | 51 | 928 | 54 | 865 | 58 |
| | LOW | 841 | 59 | 817 | — | 801 | — | 786 | — | 750 | — | 720 | — | 683 | — | 639 | — |
| SD054D-24B Side Return (54,000) | HIGH* | 1664 | 30 | 1631 | 31 | 1596 | 31 | 1546 | 32 | 1489 | 34 | 1433 | 35 | 1366 | 37 | 1285 | 39 |
| | MED-H | 1272 | 39 | 1255 | 40 | 1249 | 40 | 1217 | 41 | 1189 | 42 | 1145 | 44 | 1096 | 46 | 1036 | 48 |
| | MED-L** | 1130 | 44 | 1114 | 45 | 1100 | 45 | 1079 | 46 | 1048 | 48 | 1025 | 49 | 987 | 51 | 944 | 53 |
| | LOW | 869 | 58 | 839 | 60 | 809 | — | 790 | — | 764 | — | 739 | — | 711 | — | 664 | — |
| SD072D-35C Bottom Return (72,000) | HIGH* | 1933 | — | 1857 | 36 | 1780 | 37 | 1695 | 39 | 1599 | 42 | 1498 | 45 | 1396 | 48 | 1280 | 52 |
| | MED-H** | 1872 | 36 | 1804 | 37 | 1731 | 39 | 1639 | 41 | 1551 | 43 | 1458 | 46 | 1353 | 49 | 1237 | 54 |
| | MED-L | 1320 | 51 | 1299 | 51 | 1264 | 53 | 1233 | 54 | 1183 | 56 | 1126 | 59 | 1059 | 63 | 963 | — |
| | LOW | 1185 | 56 | 1170 | 57 | 1132 | 59 | 1102 | 60 | 1067 | 62 | 1015 | — | 947 | — | 856 | — |
| SD072D-35C Side Return (72,000) | HIGH* | 1916 | 35 | 1848 | 36 | 1773 | 38 | 1692 | 39 | 1613 | 41 | 1515 | 44 | 1426 | 47 | 1316 | 51 |
| | MED-H** | 1815 | 37 | 1771 | 38 | 1711 | 39 | 1641 | 41 | 1553 | 43 | 1468 | 45 | 1373 | 49 | 1270 | 52 |
| | MED-L | 1259 | 53 | 1241 | 54 | 1224 | 54 | 1192 | 56 | 1163 | 57 | 1115 | 60 | 1056 | 63 | 982 | — |
| | LOW | 1139 | 59 | 1120 | 60 | 1096 | 61 | 1075 | 62 | 1047 | 64 | 1014 | — | 959 | — | 884 | — |
| SD72D-35C Side + Bottom or 2 Sides (72,000) | HIGH* | 1954 | — | 1890 | 35 | 1824 | 37 | 1741 | 38 | 1656 | 40 | 1564 | 43 | 1470 | 45 | 1352 | 49 |
| | MED-H** | 1869 | 36 | 1805 | 37 | 1741 | 38 | 1685 | 40 | 1607 | 41 | 1516 | 44 | 1419 | 47 | 1308 | 51 |
| | MED-L | 1287 | 52 | 1262 | 53 | 1231 | 54 | 1197 | 56 | 1166 | 57 | 1117 | 60 | 1061 | 63 | 966 | — |
| | LOW | 1147 | 58 | 1115 | 60 | 1097 | 61 | 1075 | 62 | 1047 | 64 | 1014 | — | 959 | — | 884 | — |
| SD090D-35C Bottom Return (90,000) | HIGH* | 2288 | 36 | 2236 | 37 | 2161 | 39 | 2092 | 40 | 2017 | 41 | 1934 | 43 | 1841 | 45 | 1748 | 48 |
| | MED-H** | 2144 | 39 | 2093 | 40 | 2049 | 41 | 1985 | 42 | 1912 | 44 | 1842 | 45 | 1764 | 47 | 1668 | 50 |
| | MED-L | 1874 | 44 | 1845 | 45 | 1806 | 46 | 1766 | 47 | 1717 | 49 | 1661 | 50 | 1582 | 53 | 1503 | 55 |
| | LOW | 1541 | 54 | 1516 | 55 | 1509 | 55 | 1486 | 56 | 1456 | 57 | 1402 | 59 | 1361 | 61 | 1294 | 64 |
| SD090D-35C Side Return (90,000) | HIGH* | 2273 | 37 | 2222 | 38 | 2164 | 39 | 2098 | 40 | 2025 | 41 | 1947 | 43 | 1864 | 45 | 1780 | 47 |
| | MED-H** | 2084 | 40 | 2039 | 41 | 2007 | 42 | 1955 | 43 | 1895 | 44 | 1832 | 45 | 1750 | 48 | 1665 | 50 |
| | MED-L | 1784 | 47 | 1777 | 47 | 1749 | 48 | 1725 | 48 | 1679 | 50 | 1629 | 51 | 1576 | 53 | 1501 | 56 |
| | LOW | 1482 | 56 | 1470 | 57 | 1444 | 58 | 1432 | 58 | 1405 | 59 | 1375 | 61 | 1339 | 62 | 1286 | 65 |
| SD90D-35C Side + Bottom or 2 Sides (90,000) | HIGH* | 2328 | 36 | 2273 | 37 | 2224 | 37 | 2151 | 39 | 2082 | 40 | 2005 | 42 | 1920 | 43 | 1825 | 46 |
| | MED-H** | 2124 | 39 | 2108 | 40 | 2052 | 41 | 2018 | 41 | 1954 | 43 | 1884 | 44 | 1813 | 46 | 1725 | 48 |
| | MED-L | 1825 | 46 | 1809 | 46 | 1781 | 47 | 1752 | 48 | 1706 | 49 | 1676 | 50 | 1615 | 52 | 1535 | 54 |
| | LOW | 1509 | 55 | 1488 | 56 | 1468 | 57 | 1440 | 58 | 1422 | 59 | 1379 | 60 | 1351 | 62 | 1292 | 64 |

Table 1. *SD Upflow / Horizontal Furnaces

BLOWER PERFORMANCE - KG7SD Continued

| MAXIMUM AIRFLOW & TEMPERATURE RISES (° F) FOR UPFLOW / HORIZONTAL FURNACES (*SD SERIES) | | | | | | | | | | | | | | | | | |
|---|-------------|--|------|------|------|------|------|------|------|------|------|------|------|------|------|------|------|
| Model Number & Heating Input (Btuh) | Motor Speed | External Static Pressure (Inches Water Column) | | | | | | | | | | | | | | | |
| | | 0.1 | | 0.2 | | 0.3 | | 0.4 | | 0.5 | | 0.6 | | 0.7 | | 0.8 | |
| | | CFM | Rise | CFM | Rise | CFM | Rise | CFM | Rise | CFM | Rise | CFM | Rise | CFM | Rise | CFM | Rise |
| SD108D-45D Bottom Return (108,000) | HIGH* | 2276 | 44 | 2228 | 45 | 2173 | 46 | 2108 | 47 | 2035 | 49 | 1961 | 51 | 1876 | 53 | 1778 | 56 |
| | MED-H** | 2113 | 47 | 2078 | 48 | 2019 | 50 | 1970 | 51 | 1904 | 53 | 1840 | 54 | 1768 | 57 | 1677 | 60 |
| | MED-L | 1819 | 55 | 1789 | 56 | 1757 | 57 | 1706 | 59 | 1666 | 60 | 1610 | 62 | 1551 | 64 | 1486 | 67 |
| | LOW | 1496 | 67 | 1484 | 67 | 1459 | 69 | 1430 | 70 | 1402 | — | 1363 | — | 1330 | — | 1262 | — |
| SD108D-45D Side Return (108,000) | HIGH* | 2306 | 43 | 2247 | 45 | 2192 | 46 | 2121 | 47 | 2044 | 49 | 1979 | 51 | 1892 | 53 | 1787 | 56 |
| | MED-H** | 2135 | 47 | 2103 | 50 | 2050 | 51 | 1995 | 53 | 1935 | 54 | 1858 | 57 | 1778 | 59 | 1690 | 62 |
| | MED-L | 1845 | 54 | 1834 | 57 | 1805 | 58 | 1776 | 59 | 1719 | 61 | 1663 | 63 | 1605 | 66 | 1533 | 69 |
| | LOW | 1543 | 65 | 1521 | 69 | 1502 | 70 | 1477 | — | 1452 | — | 1412 | — | 1368 | — | 1314 | — |
| SD120D-45D Bottom Return (120,000) | HIGH* | 2276 | 49 | 2228 | 50 | 2173 | 51 | 2108 | 53 | 2035 | 55 | 1961 | 57 | 1876 | 59 | 1778 | 62 |
| | MED-H** | 2113 | 53 | 2078 | 53 | 2019 | 55 | 1970 | 56 | 1904 | 58 | 1840 | 60 | 1768 | 63 | 1677 | 66 |
| | MED-L | 1819 | 61 | 1789 | 62 | 1757 | 63 | 1706 | 65 | 1666 | 67 | 1610 | 69 | 1551 | — | 1486 | — |
| | LOW | 1496 | — | 1484 | — | 1459 | — | 1430 | — | 1402 | — | 1363 | — | 1330 | — | 1262 | — |
| SD120D-45D Side Return (120,000) | HIGH* | 2306 | 48 | 2247 | 49 | 2192 | 51 | 2121 | 52 | 2044 | 54 | 1979 | 56 | 1892 | 59 | 1787 | 62 |
| | MED-H** | 2135 | 52 | 2103 | 53 | 2050 | 54 | 1995 | 56 | 1935 | 57 | 1858 | 60 | 1778 | 62 | 1690 | 66 |
| | MED-L | 1845 | 60 | 1834 | 61 | 1805 | 62 | 1776 | 63 | 1719 | 65 | 1663 | 67 | 1605 | 69 | 1533 | — |
| | LOW | 1543 | — | 1521 | — | 1502 | — | 1477 | — | 1452 | — | 1412 | — | 1368 | — | 1314 | — |

Table 1. Continued

BLOWER PERFORMANCE - KG7SM

| MAXIMUM AIRFLOW & TEMPERATURE RISES (° F) FOR DOWNFLOW FURNACES (*SM SERIES) | | | | | | | | | | | | | | | | | |
|--|-------------|--|------|------|------|------|------|------|------|------|------|------|------|------|------|------|------|
| Model Number & Heating Input (Btuh) | Motor Speed | External Static Pressure (Inches Water Column) | | | | | | | | | | | | | | | |
| | | 0.1 | | 0.2 | | 0.3 | | 0.4 | | 0.5 | | 0.6 | | 0.7 | | 0.8 | |
| | | CFM | Rise | CFM | Rise | CFM | Rise | CFM | Rise | CFM | Rise | CFM | Rise | CFM | Rise | CFM | Rise |
| SM054D-24B Top Return (54,000) | HIGH* | 1590 | 31 | 1563 | 32 | 1538 | 33 | 1513 | 33 | 1477 | 34 | 1430 | 35 | 1370 | 36 | 1312 | 38 |
| | MED-H | 1228 | 41 | 1207 | 41 | 1193 | 42 | 1169 | 43 | 1157 | 43 | 1127 | 44 | 1084 | 46 | 1037 | 48 |
| | MED-L** | 1096 | 46 | 1079 | 46 | 1061 | 47 | 1038 | 48 | 1010 | 50 | 986 | 51 | 957 | 52 | 919 | 54 |
| | LOW | 855 | 58 | 825 | — | 800 | — | 777 | — | 753 | — | 723 | — | 696 | — | 665 | — |
| SM072D-35C Top Return (72,000) | HIGH* | 2235 | — | 2176 | — | 2121 | — | 2067 | — | 2010 | — | 1936 | — | 1864 | 36 | 1783 | 37 |
| | MED-H** | 2095 | — | 2052 | — | 2005 | — | 1957 | — | 1906 | 35 | 1852 | 36 | 1781 | 37 | 1709 | 39 |
| | MED-L | 1871 | 36 | 1838 | 36 | 1797 | 37 | 1761 | 38 | 1716 | 39 | 1667 | 40 | 1602 | 42 | 1536 | 43 |
| | LOW | 1568 | 43 | 1552 | 43 | 1527 | 44 | 1485 | 45 | 1457 | 46 | 1418 | 47 | 1370 | 49 | 1343 | 50 |
| SM090D-35C Top Return (90,000) | HIGH** | 2208 | 38 | 2150 | 39 | 2089 | 40 | 2026 | 41 | 1959 | 43 | 1893 | 44 | 1825 | 46 | 1738 | 48 |
| | MED-H** | 2065 | 40 | 2015 | 41 | 1970 | 42 | 1910 | 44 | 1866 | 45 | 1805 | 46 | 1737 | 48 | 1668 | 50 |
| | MED-L | 1802 | 46 | 1773 | 47 | 1750 | 48 | 1703 | 49 | 1670 | 50 | 1623 | 51 | 1556 | 54 | 1490 | 56 |
| | LOW | 1490 | 56 | 1482 | 56 | 1464 | 57 | 1436 | 58 | 1407 | 59 | 1380 | 60 | 1329 | 63 | 1271 | — |
| SM118D-45D Top Return (118,000) | HIGH* | 2358 | 46 | 2299 | 48 | 2253 | 48 | 2191 | 50 | 2130 | 51 | 2060 | 53 | 1990 | 55 | 1903 | 57 |
| | MED-H** | 2176 | 50 | 2135 | 51 | 2102 | 52 | 2046 | 53 | 1985 | 55 | 1932 | 57 | 1862 | 59 | 1777 | 61 |
| | MED-L | 1873 | 58 | 1852 | 59 | 1816 | 60 | 1790 | 61 | 1750 | 62 | 1699 | 64 | 1643 | 66 | 1571 | 70 |
| | LOW | 1544 | — | 1528 | — | 1514 | — | 1499 | — | 1462 | — | 1441 | — | 1429 | — | 1386 | — |

NOTES:

* Factory Set Cooling Speed

** Factory Set Heating Speed

1. Two openings are recommended for airflows above 1,600 CFM if filter(s) is(are) adjacent to furnace

2. Temperature rises in the table are approximate. Actual temperature rises may vary.

3. Cells shaded in gray indicate a temperature rise outside of the recommended range.

Table 2. *SM Downflow Furnaces

VENTING

All models are approved for vertical non direct (1 pipe) and direct (2 pipe) venting applications. See Vent Table below for specified sizes and allowable lengths.

VENT TABLE

| MODELS | SINGLE PIPE LENGTH (FT.) with 1 long radius elbow* | | DIRECT VENT, DUEL PIPE LENGTH (ft.) WITH 1 long radius elbow on each pipe* | |
|--------|---|--------|--|--------------|
| | OUTLET | OUTLET | INLET/OUTLET | INLET/OUTLET |
| | 2" | 3" | 2" | 3" |
| SD038 | 50 | 70 | 50 | 70 |
| SD054 | 70 | 90 | 70 | 90 |
| SD072 | 50 | 90 | 50 | 90 |
| SD090 | 60 | 90 | 60 | 90 |
| SD108 | N/A | 90 | N/A | 90 |
| SD120 | N/A | 90 | N/A | 90 |
| SM054 | 70 | 90 | 70 | 90 |
| SM072 | 50 | 90 | 50 | 90 |
| SM090 | 60 | 90 | 60 | 90 |
| SM118 | N/A | 90 | N/A | 90 |

* NOTE:

1. Subtract 2.5 ft. for each additional 2" elbow and 3.5 ft. for each additional 3" elbow.
2. Two 45 degree elbows are equivalent to one 90 degree elbow.
3. One short radius elbow is equivalent to two long radius elbows.
4. Do not include termination elbows in calculation of vent length.
5. This table is applicable for elevations from sea level to 2000 ft. For higher elevations decrease vent pipe lengths by 8% per 1000 ft. of altitude.
6. Only the listed pipe materials are approved for use with KG7 Condensing Furnaces.

ACCESSORIES

| KG7S (D, M) KITS | |
|---|--------|
| Description | SKU |
| 2" Concentric vent kit | 904952 |
| 3" Concentric vent kit | 904953 |
| "B", "C", "D" Cabinet downflow sub base kit | 904911 |
| 2" Side wall vent kit | 904617 |
| 3" Side wall vent kit | 904347 |
| U.S. LP Conversion kit (0 to 10,000 ft.) | 905028 |
| Canada LP Conversion kit (0 to 4,500 ft.) | 905029 |
| Bottom return filter 20 per box, "B" cabinet | 904916 |
| Bottom return filter 20 per box, "C" cabinet | 904917 |
| Bottom return filter 20 per box, "D" cabinet | 904918 |
| Side return filter kit | 541036 |
| Neutralizer kit | 902377 |
| "A" Cabinet fixed speed, high efficiency, FSHE | 904872 |
| "B" Cabinet fixed speed, high efficiency, FSHE | 904873 |
| "C" Cabinet fixed speed, high efficiency, FSHE | 904874 |
| "D" Cabinet fixed speed, high efficiency, FSHE | 904875 |
| "A" Cabinet variable speed, high efficiency, VSHE | 904876 |
| "B" Cabinet variable speed, high efficiency, VSHE | 904877 |
| "C" Cabinet variable speed, high efficiency, VSHE | 904878 |
| "D" Cabinet variable speed, high efficiency, VSHE | 904879 |



GENERAL TERMS OF LIMITED WARRANTY

Nortek Global HVAC, LLC will furnish a replacement for any part of this product which fails in normal use and service within the terms and conditions of the warranty.

For complete details of the Limited Warranty, including applicable terms and conditions, see your local installer or contact the Nortek Global HVAC, LLC warranty department for a copy.

Before purchasing this appliance, read important energy cost and efficiency information available from your retailer. Specifications and illustrations subject to change without notice and without incurring obligations. Printed in U.S.A (10/2015)

750D-0514 (Replaces 750D-0314)

www.gibsonhvac.com

GIBSON is a pending or registered trademark of Electrolux Home Products Inc. and used under a license from Electrolux Home Products, Inc. © Nortek Global HVAC, LLC. All Rights Reserved.