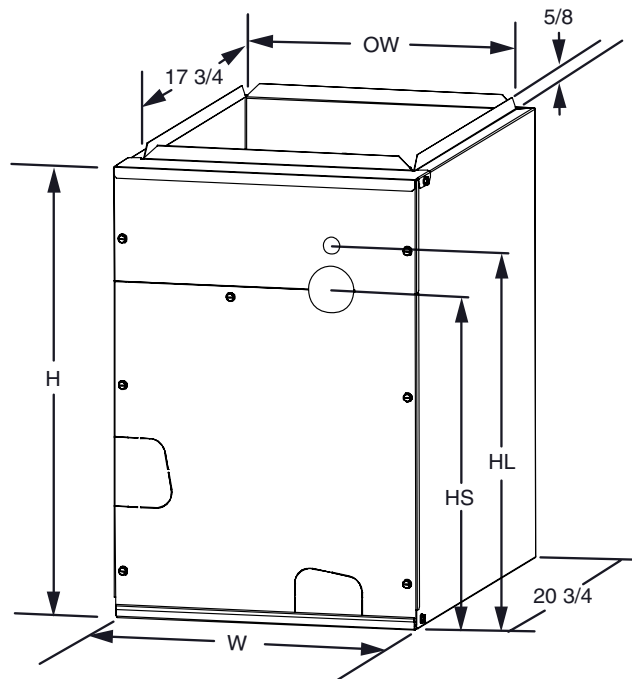
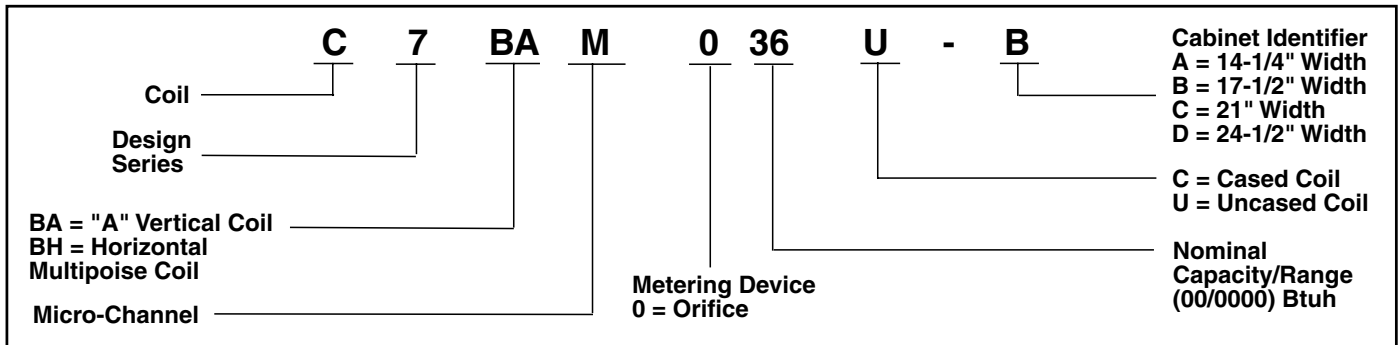


C7 Indoor Coils with Orifice

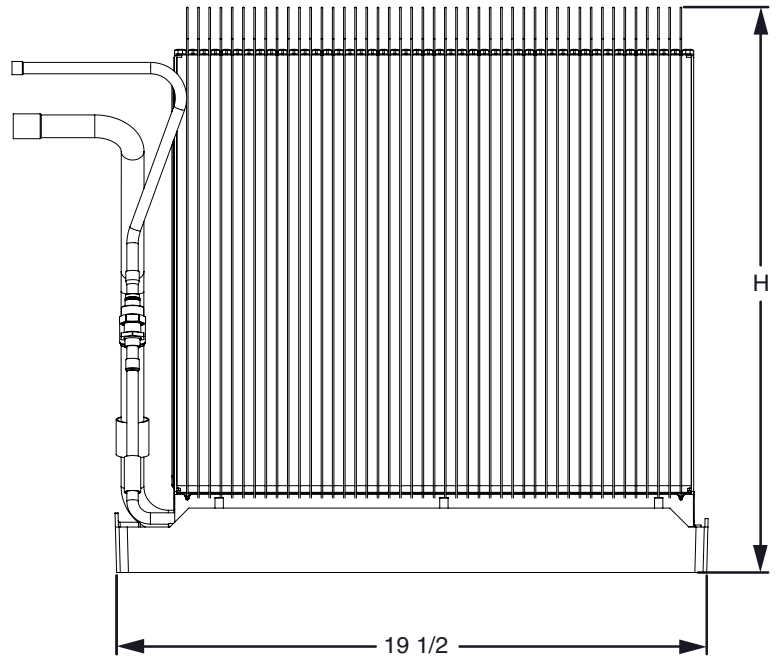
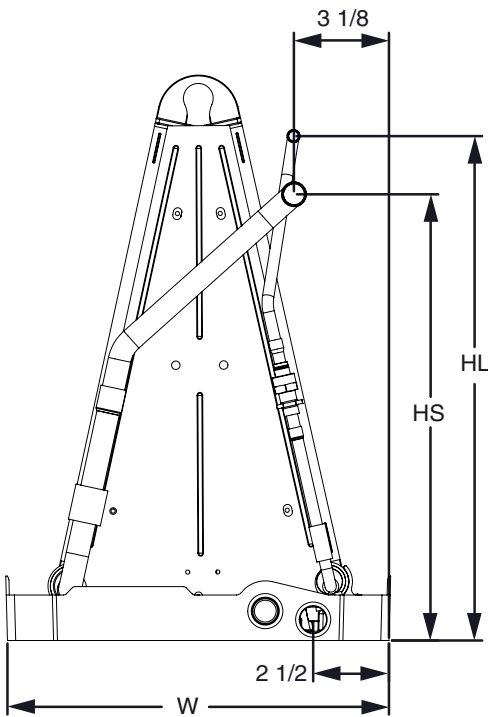
MODEL IDENTIFICATION CODE



Cased Coil Wrapper

C7 CASED COIL WRAPPERS

SKU	Cabinet Identifier	Overall Width	Overall Height	Liquid Line Height	Suction Line Height	Opening Width
		W	H	HL	HS	OW
920256	A	14 1/4"	20 3/4"	17 1/2"	15 1/2"	12 7/8"
920257	A	14 1/4"	26 3/4"	23 1/2"	21 1/2"	12 7/8"
920258	B	17 1/2"	20 3/4"	17 1/2"	15 1/2"	16 1/8"
920259	B	17 1/2"	26 3/4"	23 1/2"	21 1/2"	16 1/8"
920260	C	21"	26 3/4"	23 1/2"	21 1/2"	19 5/8"
920261	C	21"	30 1/4"	27"	25"	19 5/8"
920262	D	24 1/2"	30 1/4"	27"	25"	23 1/8"



Uncased Coil

C7 UNCASED COIL DATA

C7 UNCASED	1824-A	3036-A	1824-B	3036-B	3642-B	30-C	3648-C	48-C	60-C	42-D	48-D	60-D
Face Area (ft ²)	3.43	3.43	3.43	3.43	4.87	3.43	4.87	5.82	5.82	4.87	5.82	5.82
Fins per inch	20	18	20	20	20	20	20	20	20	20	20	20
W - Width (in.)	12-3/4	12-3/4	16	16	16	19-1/2	19-1/2	19-1/2	19-1/2	23	23	23
H - Height (in.)	18-1/2	18-1/2	18	18	25	18	24-1/2	28-1/2	28-1/2	23-3/4	27-3/4	27-3/4
HL - Height of Liquid Line (in.)	17-1/2	17-1/2	17-1/2	17-1/2	23-1/2	23-1/2	23-1/2	27	27	27	27	27
HS - Height of Suction Line (in.)	15-1/2	15-1/2	15-1/2	15-1/2	21-1/2	21-1/2	21-1/2	25	25	25	25	25
Connection - Liquid Line	3/8	3/8	3/8	3/8	3/8	3/8	3/8	3/8	3/8	3/8	3/8	3/8
Connection - Suction Line	3/4	3/4	3/4	3/4	7/8	3/4	7/8	7/8	7/8	7/8	7/8	7/8
Horizontal Drain Kit	920265	920265	920265	920265	920266	920266	920266	920267	920267	920267	920267	920267
Tube Kit for TXV	921824	921824	921825	921825	921826	921827	921828	921829	921829	921830	921831	921831
Metering Orifice Size (in.)	0.048	0.061	0.055	0.067	0.071	0.061	0.067	0.077	0.083	0.071	0.077	0.083
Nominal Airflow (CFM) (Lower Tonnage)	600	1,000	550	1,000	1,300	960	1,250	1,300	1,700	1,300	1,300	1,700
Nominal Airflow (CFM) (Higher Tonnage)	700	1,200	750	1,200	1,300		1,400					
Pressure Drop at nom airflow (in. wc) (Lower Tonnage)	0.12	0.26	0.09	0.26	0.25	0.26	0.24	0.31	0.30	0.30	0.31	0.30
Pressure Drop at nom airflow (in. wc) (Higher Tonnage)	0.17	0.27	0.15	0.27	0.27		0.29					

C7 CASED COIL DATA

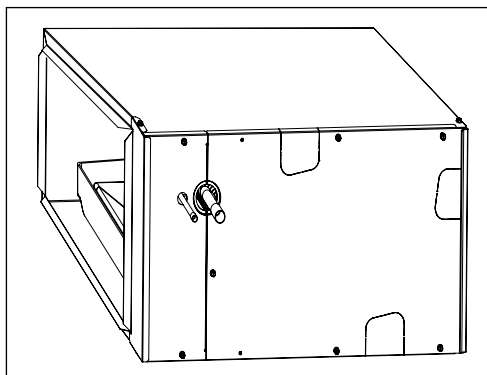
C7 CASED	1824-A	3036-A	1824-B	3036-B	3642-B	30-C	3648-C	48-C	60-C	42-D	48-D	60-D
Face Area (ft ²)	3.43	3.43	3.43	3.43	4.87	3.43	4.87	5.82	5.82	4.87	5.82	5.82
Fins per inch	20	18	20	20	20	20	20	20	20	20	20	20
W - Width (in.)	14-1/4	14-1/4	17-1/2	17-1/2	17-1/2	21	21	21	21	24-1/2	24-1/2	24-1/2
H - Height (in.)	20-3/4	20-3/4	20-3/4	20-3/4	26-3/4	26-3/4	26-3/4	30-1/4	30-1/4	30-1/4	30-1/4	30-1/4
HL - Height of Liquid Line (in.)	17-1/2	17-1/2	17-1/2	17-1/2	23-1/2	23-1/2	23-1/2	27	27	27	27	27
HS - Height of Suction Line (in.)	15-1/2	15-1/2	15-1/2	15-1/2	21-1/2	21-1/2	21-1/2	25	25	25	25	25
Connection - Liquid Line	3/8	3/8	3/8	3/8	3/8	3/8	3/8	3/8	3/8	3/8	3/8	3/8
Connection - Suction Line	3/4	3/4	3/4	3/4	7/8	3/4	7/8	7/8	7/8	7/8	7/8	7/8
Horizontal Drain Kit	920265	920265	920265	920265	920266	920266	920266	920267	920267	920267	920267	920267
Tube Kit for TXV	921824	921824	921825	921825	921826	921827	921828	921829	921829	921830	921831	921831
Metering Orifice Size (in.)	0.048	0.061	0.055	0.067	0.071	0.061	0.067	0.077	0.083	0.071	0.077	0.083
Nominal Airflow (CFM) (Lower Tonnage)	600	1,000	550	1,000	1,300	960	1,250	1,300	1,700	1,300	1,300	1,700
Nominal Airflow (CFM) (Higher Tonnage)	700	1,200	750	1,200	1,300		1,400					
Pressure Drop at nom airflow (in. wc) (Lower Tonnage)	0.12	0.26	0.09	0.26	0.25	0.26	0.24	0.31	0.30	0.30	0.31	0.30
Pressure Drop at nom airflow (in. wc) (Higher Tonnage)	0.17	0.27	0.15	0.27	0.27		0.29					

C7 HORIZONTAL COIL DATA

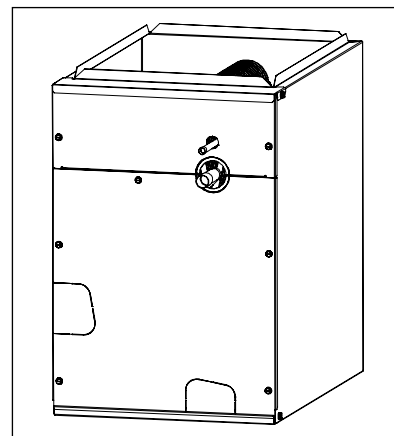
C7 HORIZONTAL	1824-A	3036-A	1824-B	3036-B	3642-B	30-C	3648-C	48-C	60-C	42-D	48-D	60-D
Face Area (ft ²)	3.43	3.43	3.43	3.43	4.87	3.43	4.87	5.82	5.82	4.87	5.82	5.82
Fins per inch	20	18	20	20	20	20	20	20	20	20	20	20
W - Width (in.)	14-1/4	14-1/4	17-1/2	17-1/2	17-1/2	21	21	21	21	24-1/2	24-1/2	24-1/2
H - Height (in.)	26-3/4	26-3/4	26-3/4	26-3/4	26-3/4	26-3/4	26-3/4	30-1/4	30-1/4	30-1/4	30-1/4	30-1/4
HL - Height of Liquid Line (in.)	23-1/2	23-1/2	23-1/2	23-1/2	23-1/2	23-1/2	23-1/2	27	27	27	27	27
HS - Height of Suction Line (in.)	21-1/2	21-1/2	21-1/2	21-1/2	21-1/2	21-1/2	21-1/2	25	25	25	25	25
Connection - Liquid Line	3/8	3/8	3/8	3/8	3/8	3/8	3/8	3/8	3/8	3/8	3/8	3/8
Connection - Suction Line	3/4	3/4	3/4	3/4	7/8	3/4	7/8	7/8	7/8	7/8	7/8	7/8
Horizontal Drain Kit	N/A	N/A	N/A	N/A	N/A	N/A	N/A	N/A	N/A	N/A	N/A	N/A
Tube Kit for TXV	921824	921824	921825	921825	921826	921827	921828	921829	921829	921830	921831	921831
Metering Orifice Size (in.)	0.048	0.061	0.055	0.067	0.071	0.061	0.067	0.077	0.083	0.071	0.077	0.083
Nominal Airflow (CFM) (Lower Tonnage)	600	1,000	550	1,000	1,300	960	1,250	1,300	1,700	1,300	1,300	1,700
Nominal Airflow (CFM) (Higher Tonnage)	700	1,200	750	1,200	1,300		1,400					
Pressure Drop at nom airflow (in. wc) (Lower Tonnage)	0.12	0.26	0.09	0.26	0.25	0.26	0.24	0.31	0.30	0.30	0.31	0.30
Pressure Drop at nom airflow (in. wc) (Higher Tonnage)	0.17	0.27	0.15	0.27	0.27		0.29					

NOTES:

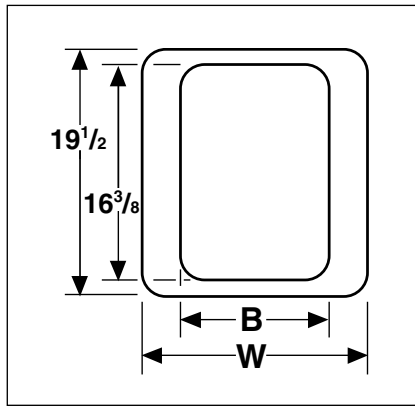
1. Individual restrictors are available by part number - PN 664*** (where *** represents the size). Example: 664103 is a restrictor 0.103 in diameter.
2. Refer to sales specification sheets for Listed/Certified combinations of equipment and required accessories.
3. Refer to the current AHRI Directory for certified ratings of split systems.



Horizontal Cased Coil



Cased Coil



Drain Pan—Bottom View

DRAIN PAN DIMENSIONS

Dimension	A Cabinet	B Cabinet	C Cabinet	D Cabinet
W	12 3/4	16	19 1/2	23
B	6 5/8	9 7/8	12 3/8	16 7/8

Liquid Line Tube kits

COIL HEIGHT	CABINET	LIQUID LINE TUBE KIT
18"	A	921824
18"	B	921825
24"	B	921826
18"	C	921827
24"	C	921828
28"	C	921829
24"	D	921830
28"	D	921831

TXV Kits

920662A	R-22 2.0T
920663A	R-22 2.5T
920664A	R-22 3.0T
920665A	R-22 3.5T
920666A	R-22 4.0T
920667A	R-22 5.0T
920668A	R-410a 2.0T
920669A	R-410a 2.5T
920670A	R-410a 3.0T
920671A	R-410a 3.5T
920672A	R-410a 4.0T
920673A	R-410a 5.0T

Cased Coil Height

SKU	Model Number	Cabinet SKU
921515	C7BAM01824C-A	920256
921519	C7BAM01824C-B	920258
921661	C7BHM01824C-A	920257
921663	C7BHM01824C-B	920259
921700	C7BAM030C-C	920260
921701	C7BHM030C-C	920260
921517	C7BAM03036C-A	920256
921521	C7BAM03036C-B	920258
921662	C7BHM03036C-A	920257
921664	C7BHM03036C-B	920259
921523	C7BAM03642C-B	920259
921665	C7BHM03642C-B	920259
921525	C7BAM03648C-C	920260
921666	C7BHM03648C-C	920260
921529	C7BAM042C-D	920262
921668	C7BHM042C-D	920262
921838	C7BAM048C-C	920261
921841	C7BAM048C-D	920262
921839	C7BHM048C-C	920261
921842	C7BHM048C-D	920262
921527	C7BAM04860C-C	920261
921667	C7BHM04860C-C	920261
922116	C7BAM060C-C	920261
922119	C7BAM060C-D	920262
922117	C7BHM060C-C	920261
922120	C7BHM060C-D	920262



NORDYNE

COMPLETE COMFORT. GENUINE VALUE.

8000 Phoenix Parkway | O'Fallon, MO 63368-3827

Specifications and illustrations subject to change without notice and without incurring obligations. Printed in U.S.A (07/2014)

855D-0714 (Replaces 855D-0514)

www.gibsonhvac.com

GIBSON is a pending or registered trademark of Electrolux Home Products Inc. and used under a license from Electrolux Home Products, Inc. © Nortek Global HVAC, LLC. All Rights Reserved.